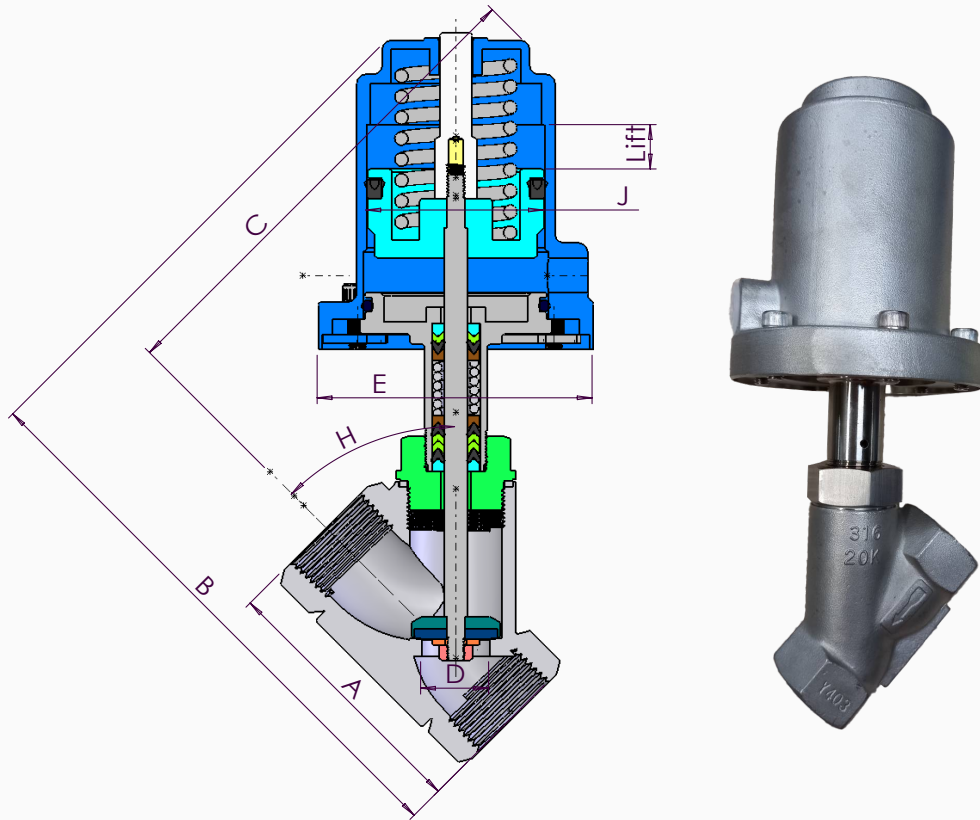


## "Y"TYPE CYLINDER CONTROL VES **NYC SERIES**



SUITABLE FLUIDS	WATER ,AIR ,STEAM ,OIL
WORKING PRESSURE	0~16 KG/CM <sup>2</sup>
WORKING TEMP	0 <sup>0</sup> C~180 <sup>0</sup> C
VALVE BODY	SCS-14
VALVE STEM	SUS
INNER V-PACKING	TEFLON
SPRING	STAINLESS STEEL
SEAT	SUS
CAP	SUS

SIZE		A	B	C	D	E	Lift	H	J	MAX.PRESSUR E (KG/CM <sup>2</sup> )	OPERATING PRESSURE(KG/CM <sup>2</sup> )
mm	W										
8	1/4	65.5	174	150	12.5	93	8	45	60	0~16	3~10
10	3/8	65.5	174	150	12.5	93	8	45	60	0~16	3~10
15	1/2	65.5	174	150	12.5	93	8	45	60	0~16	3~10
20	3/4	75	182	157	18	93	14	45	60	0~16	3~10
25	1	90	192	164	23	93	15	45	60	0~16	3~10
32	1-1/4	111.5	234	203	31	117	18.5	45	85	0~16	3~10
40	1-1/2	122	241	205	36	117	22.2	45	85	0~16	3~10
50	2	152	256	212	46	117	19	45	85	0~16	3~10
65	2-1/2"	182	248	252	56.5	117	21.5	55	85	0~16	3~10